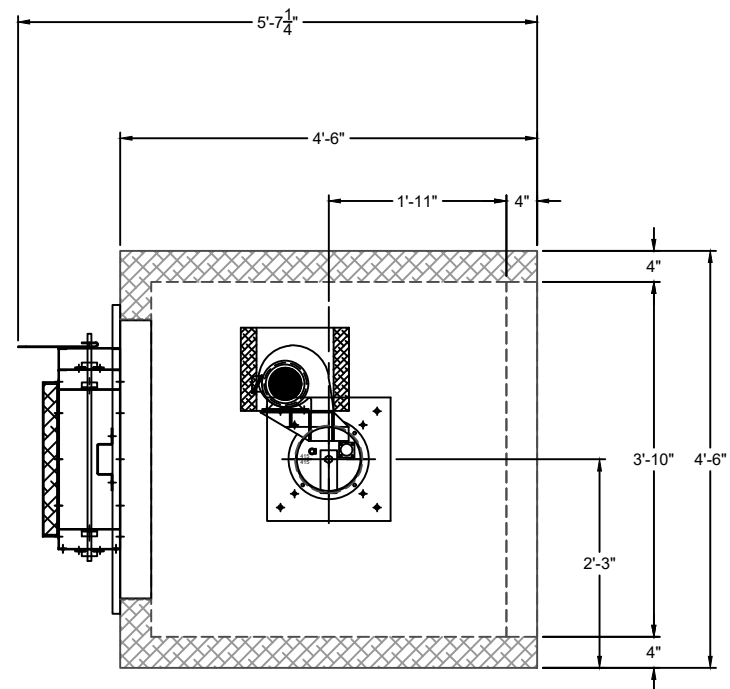
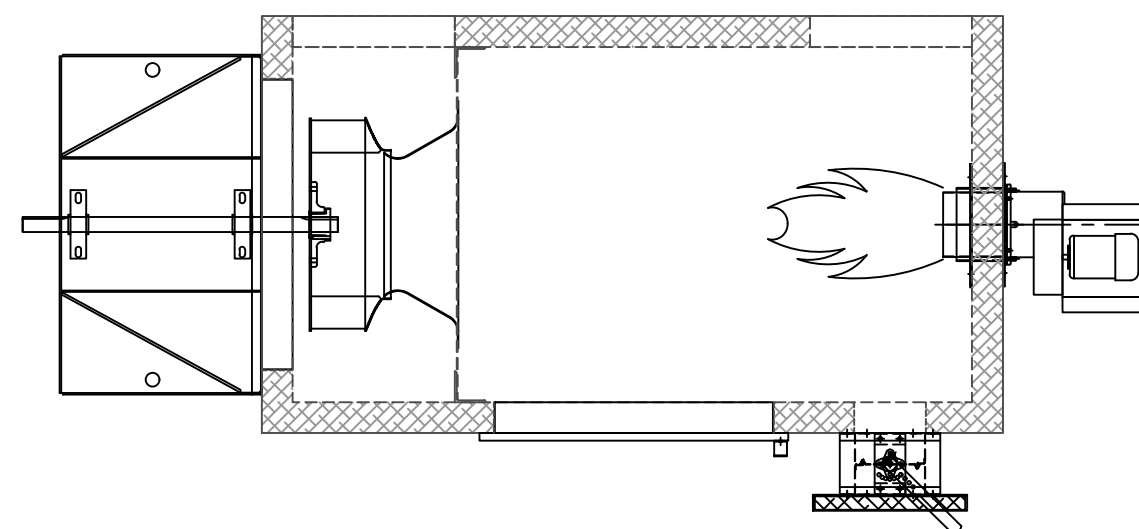


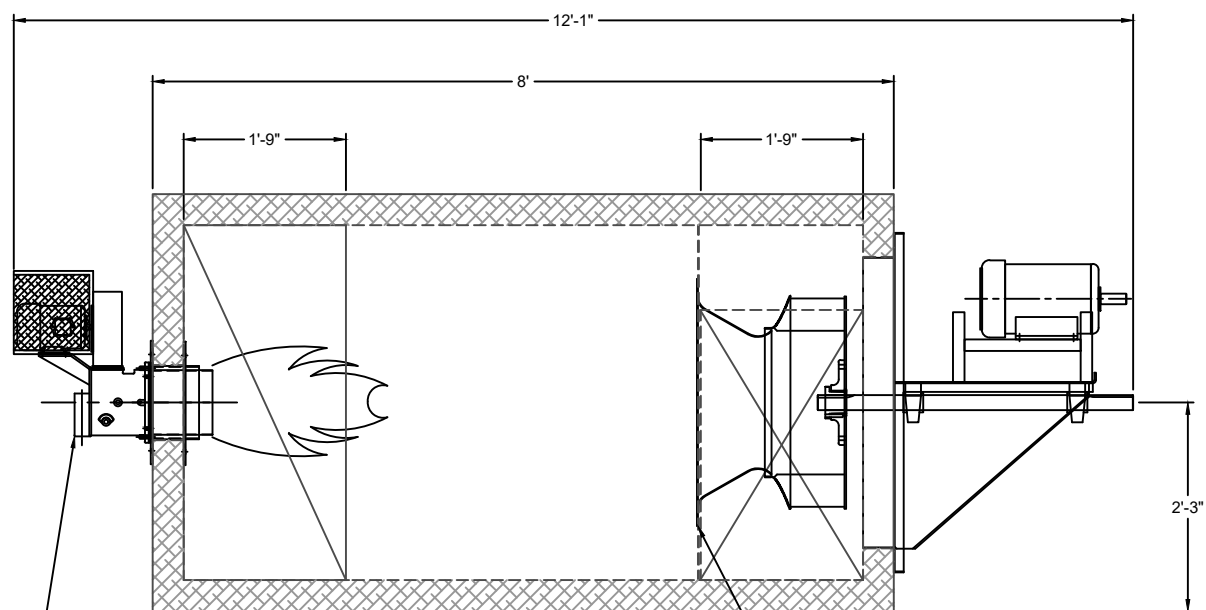
**FRESH AIR INTAKE
DETAIL "A"**



BURNER BOX - BURNER END



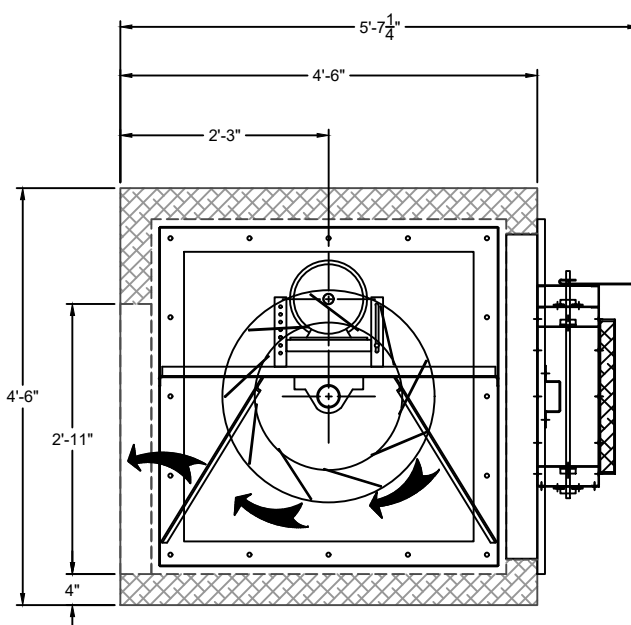
BURNER BOX - PLAN VIEW



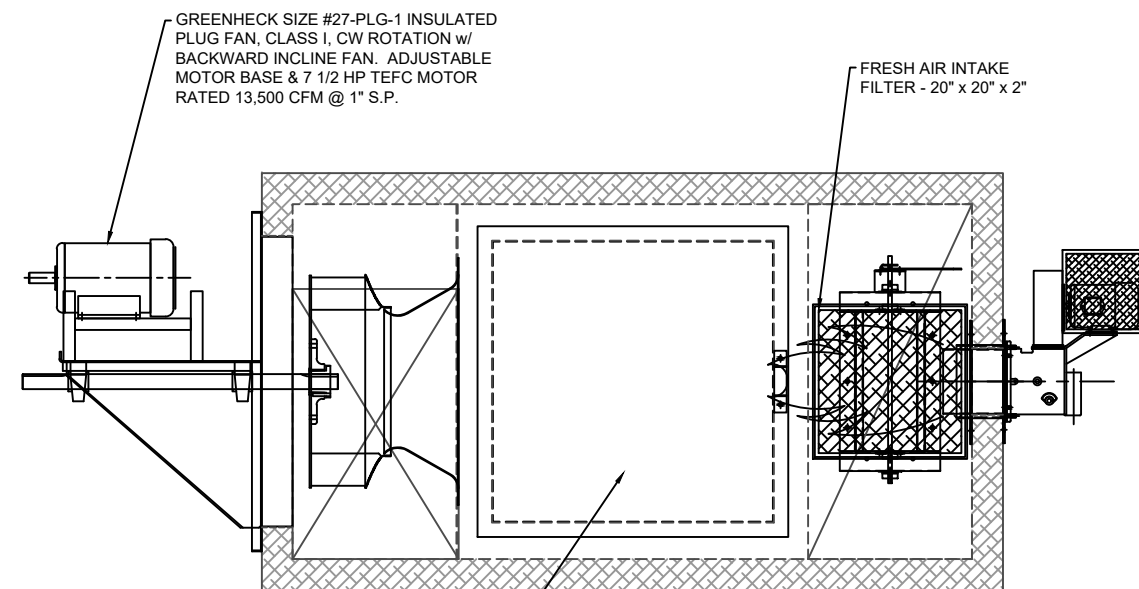
MAXON MODEL 400 OVEN PAK -
SIZE 415 NATURAL GAS FIRED BURNER
COMPLETE w/ 1/3HP COMBUSTION
BLOWER & INTAKE FILTER ASSEMBLY

ALUMINIZED STEEL
BLANK-OFF PANEL
FOR INLET CONE

BURNER BOX - INTAKE / DISCHARGE SIDE



BURNER BOX - CIRCULATION FAN END



PERSONNEL ACCESS
DOOR, 36" x 36"

		TITLE: BURNER BOX ASSEMBLY	
		CUSTOMER: PRODUCTION SYSTEMS, INC. HOLLY HILL FACILITY 102 EAST HOLLY HILL ROAD THOMASVILLE, NC 27360	
1500 TRINITY AVENUE HIGH POINT, NORTH CAROLINA 27260 (P) 336.886.7161 (F) 336.886.6009	DRAWN BY: JRBoyd	SCALE: 1" = 1'-0"	JOB NO. 11-930
DRAWING DATE: June 23, 2011	APPROVED	DRAWING NO. D11-930-310	REV # 0

THIS DRAWING IN DESIGN AND DETAIL IS
PROPERTY OF PRODUCTION SYSTEMS, INC.
AND MUST NOT BE USED EXCEPT IN
CONNECTION WITH PRODUCTION SYSTEMS
WORK. ALL RIGHTS OF DESIGN OR
INVENTION ARE RESERVED. UNAUTHORIZED
DISCLOSURE OR USE IS PROHIBITED BY LAW.

REV. NO.	ISSUED TO	ISSUED FOR	BY	APP./CHK BY