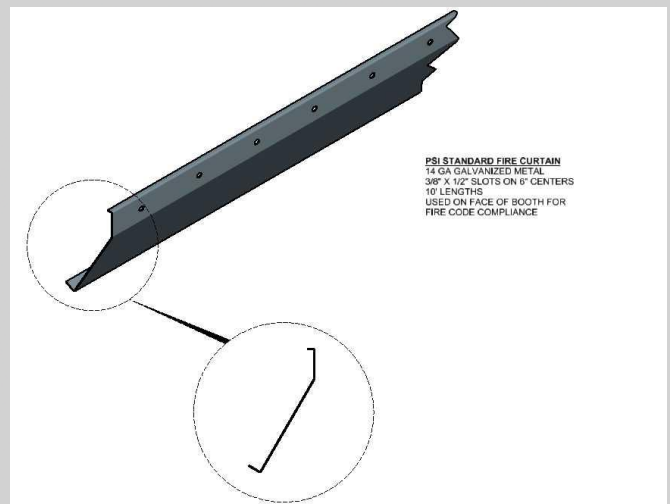
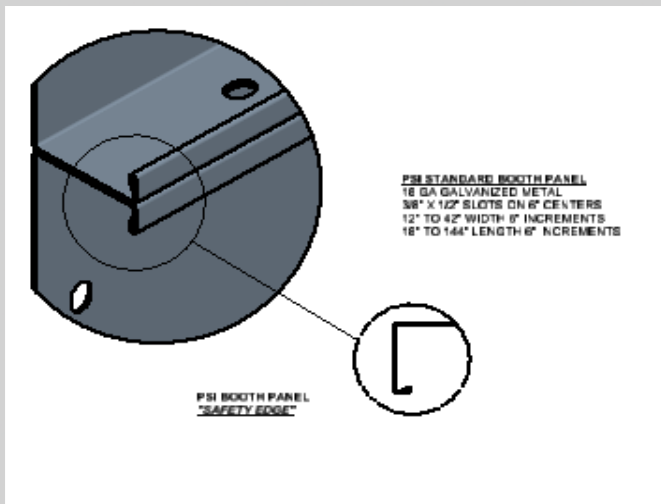


Spray Booth Assemblies

Booth enclosure construction is self-supporting with traditional assembly methods consisting of 18 gauge panels and 14 gauge floor channel, tie in angle, corner angle and tee bar. 5'16"-18 X 3/4" long slotted truss head machine screws and heavy hex nuts are used to maintain a smooth booth interior.

Bolted assembly on six inch centers ensures proper mating of companion flanges, channels and angles. Booth and enclosure assemblies are free standing with integral structural support. Production Systems' tear drop safety edge helps strengthen our panels while elimination sharp edges.



Spray Booth Assemblies

